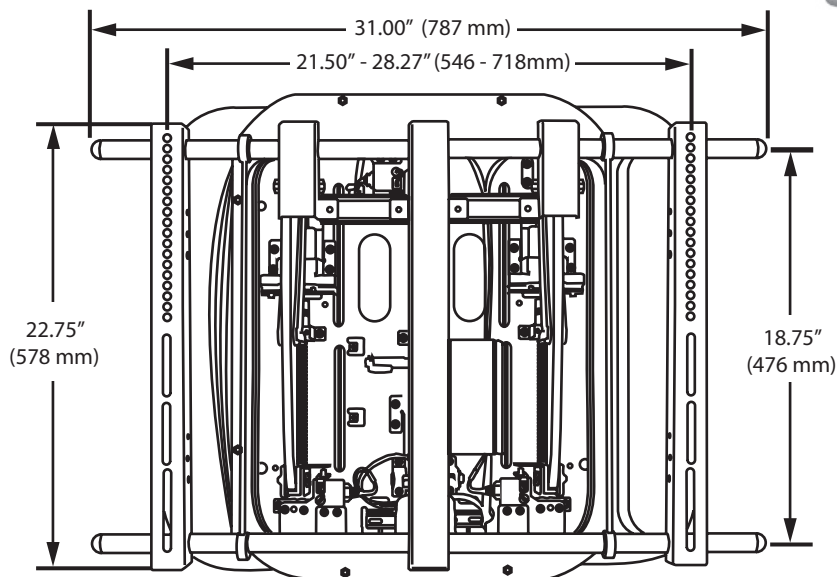


# X-arm Motorized Mount

## Capacities & Specifications

- Fits most flat panel displays with an outside width 40" - 63" (102 - 160 cm) \*  
\* Display must weigh less than 180 lbs. (81 kg) and have an outside width < 61"
- Product Weight: 60 lbs.
- Box Size: 35" (889 mm) X 28" (711 mm) X 10.50" (267 mm)
- Telescopic to 12" (305 mm)
- Tilts 7 degrees up / 20 degrees down
- Swivels 56 degrees, right to left (42" screen)

Outside TV Width	Tilt / Swivel Range
40" - 44.9" (102 - 113 cm)	7° up, 20° down, 28° left, right (56° total)
45" - 48.9" (114 - 123 cm)	7° up, 20° down, 26° left, right (52° total)
49" - 55.9" (124 - 140 cm)	7° up, 20° down, 23° left, right (46° total)
56" - 61.0" (142 - 155 cm)	7° up, 20° down, 19° left, right (38° total)



## Features

- 1 Year Manufacturer Warranty (parts & labor)
- Sits flush against the wall (4.6")
- IR Remote Control or RS232 Interface
- Universal Remote Control
- Hidden Cable Management
- Two preset buttons on remote to set favorite positions.
- Easy Installation - similar to installing a manual wall mount.
- LED display on the control box for TV size and status
- Control box is removable for easy maintenance
- UL and TUV Listed

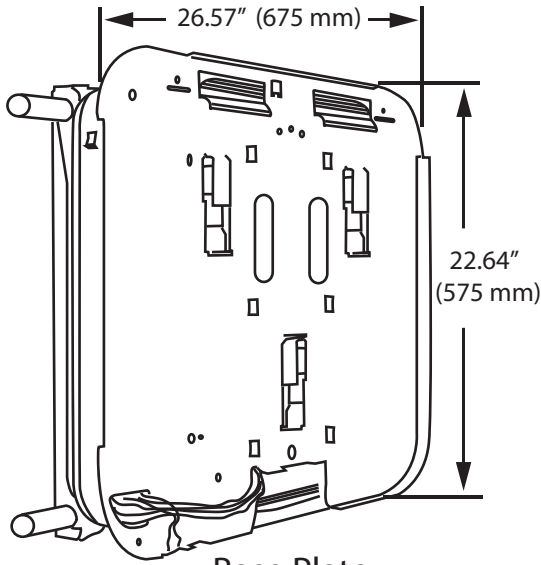


A Better View.

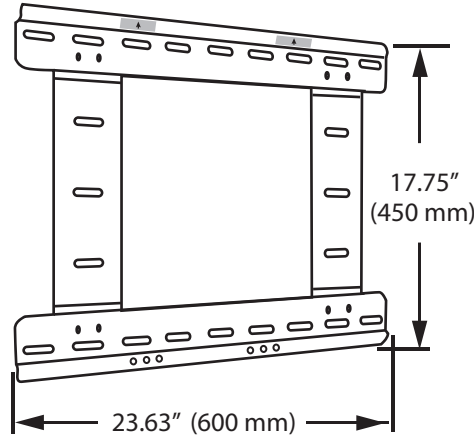
### For more information:

K2 Mounts  
14726 Ramona Avenue, Suite 201  
Chino, CA 91710  
Call 1.866.k2mount (866.526.6868)  
www.k2mounts.com

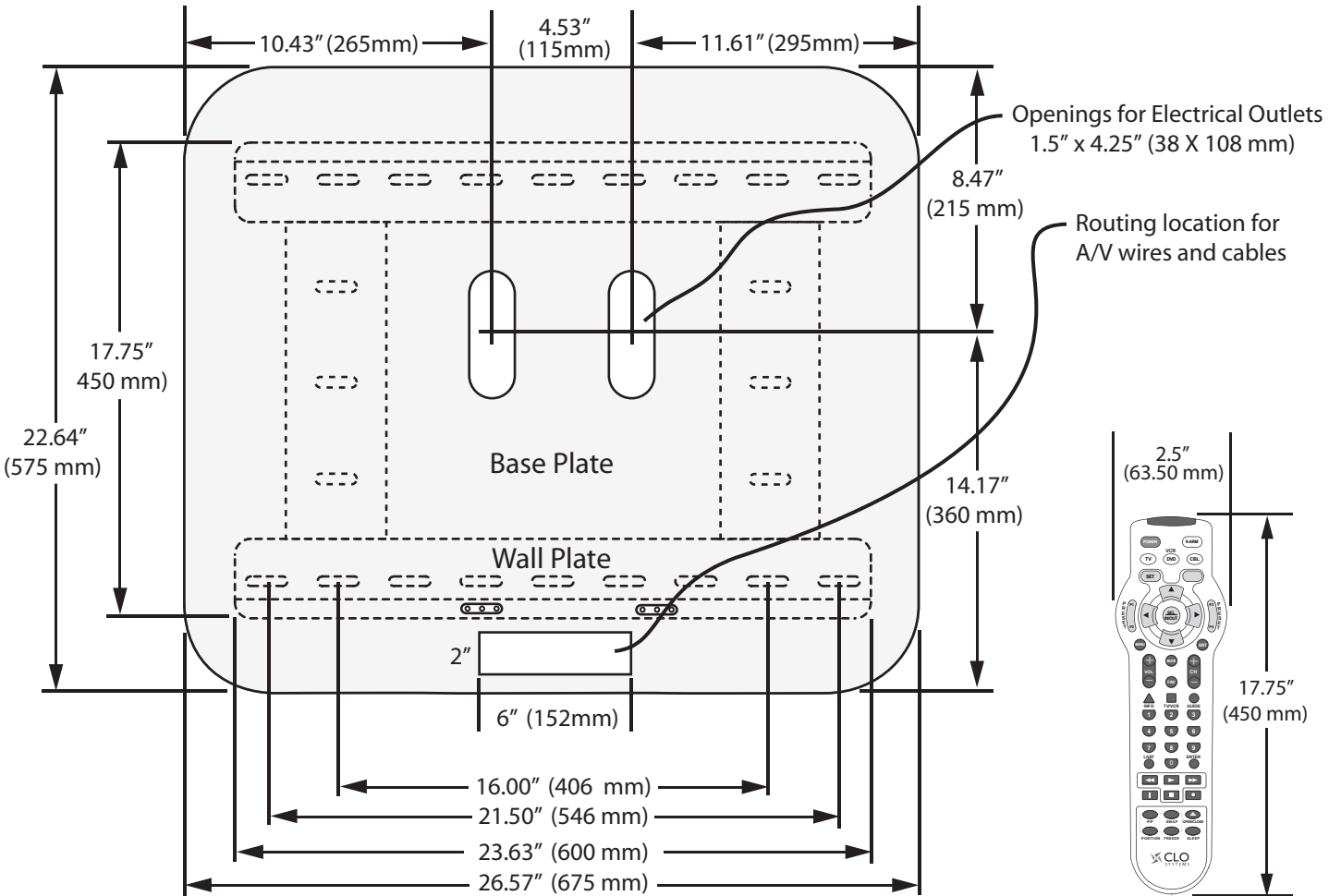
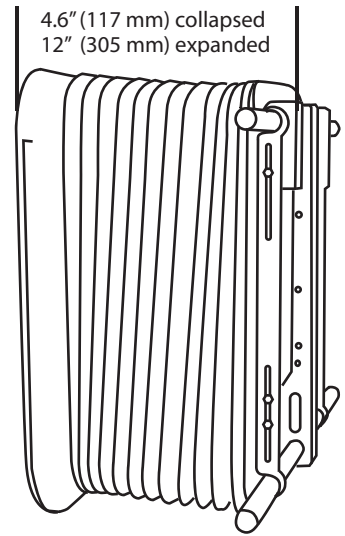
Copyright 2006 K2 Mounts, inc



Base Plate



Wall Plate



Base Plate & Wall Plate (looking through X-arm from TV side)

Remote Control



A Better View.

**For more information**

K2 Mounts  
 14726 Ramona Avenue, Suite 201  
 Chino, CA 91710  
 Call 1.866.k2mount (866.526.6868)  
 www.k2mounts.com

Product Specifications subject to change without notice.

Copyright 2006 K2 Mounts, inc