

K2 & K3 Series Mounts

Features of K2-F, LPC & T Series

- Fits Most Flat Panel Displays: 26"-37"
- Integrated level

K2-T-B/ Tilt Mount

- Weight: 10 lbs
- Adjustable 15 degree Tilt



K2-LPC-B/ Tilt Mount

- Weight: 10 lbs
- 5-degree tilt piece (detachable)



K2-F-B/ Flush Mount

- Weight: 9 lbs



Features of K3-F, LPC & T Series

- Fits Most Flat Panel Displays: 37" - 61"
- Integrated level

K3-T-B/ Tilt Mount

- Weight: 14 lbs
- Adjustable 15 degree tilt



K3-LPC-B/ Tilt Mount

- Weight: 12 lbs
- 5-degree tilt piece (detachable)



K3-F-B/ Flush Mount

- Weight: 11 lbs



Features of All Mounts

- Solid Steel Construction
- Rugged Powder Coat Finish
- Easy Installation / All Hardware Included
- FREE \$10,000 Component Insurance
- Lifetime Guarantee
- UL Approved



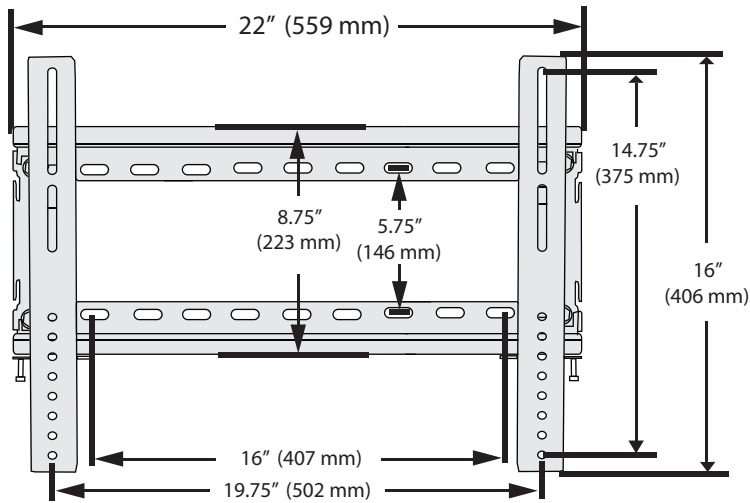
A Better View.

For more information:

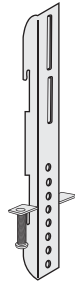
K2 Mounts
14726 Ramona Ave, Suite 201
Chino, CA 91710
Call 1.866.k2mount (866.526.6868)
www.k2mounts.com

Copyright 2008 K2Mounts, Inc

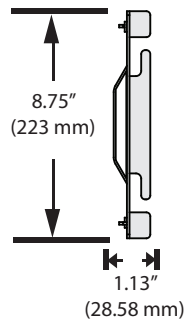
K2-F-B Flush Mount



Wall to mounting surface depth: 1.5" (38.10 mm)

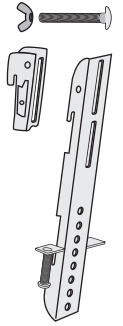


Side View



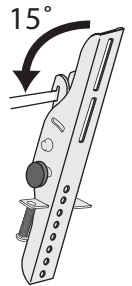
K2-LPC-B Tilt Mount

- Same dimensions as K2-F-B except for arm depth.
- Wall to mounting surface depth: 1.13" - 2.38" (28.7 - 64.45 mm)
- Detachable 5-degree tilt down piece

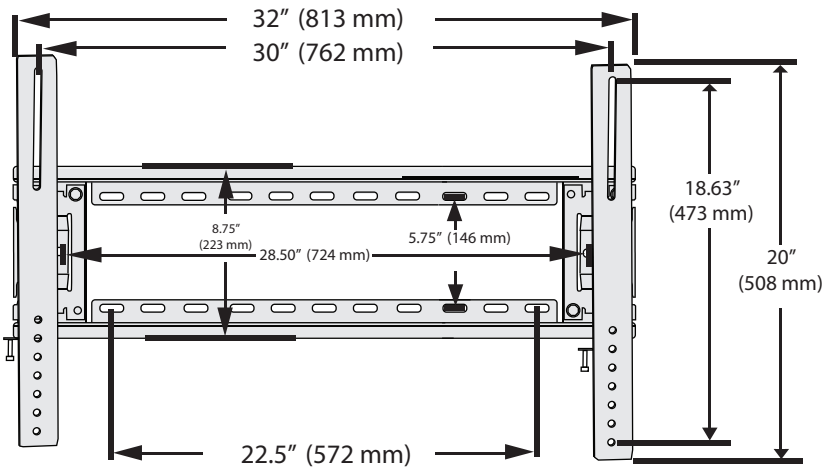


K2-T-B Tilt Mount

- Same dimensions as K2-F-B except for arm depth.
- Wall to mounting surface depth: .86" - 2.50" (21.84 - 63.50 mm)
- 15-degree tilt



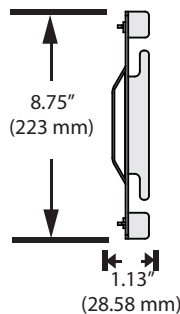
K3-F-S/ Flush mount



Wall to mounting surface depth: 1.5" (38.10 mm)

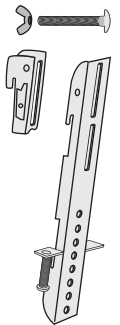


Side View



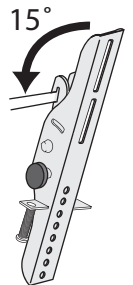
K3-LPC-B Tilt Mount

- Same dimensions as K3-F-B except for arm depth.
- Wall to mounting surface depth: .88" - 2.5" (22.35 - 63.50 mm)
- Detachable 5-degree tilt down piece



K3-T-B Tilt Mount

- Same dimensions as K3-F-B except for arm depth.
- Wall to mounting surface depth: 3.50" (88.90 mm)
- 15-degree tilt



Product Specifications subject to change without notice.



A Better View.

For more information

K2 Mounts
14726 Ramona Ave, Suite 201, Chino, CA 91710
Call 1.866.k2mount (866.526.6868)
www.k2mounts.com

Copyright 2008 K2 Mounts