

K1-UC-S Installation Instructions

Tools Needed



VESA Support: 75,100mm
Tilt Range: 90° up/down, 360° side to side
Ext. from wall: 12.50" min.
Max. Load Weight: 20 lbs.



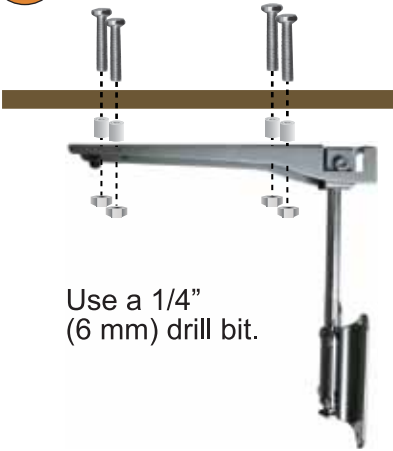
Caution: These mounting brackets are intended for use only with the maximum weights indicated. Products heavier than the max load weight may result in instability and cause injury.

1 Drill mounting holes

Remove the contents of cabinet and hold the bracket underneath where it will be mounted. Mark the positions of the drilling holes through the mounting holes. Remove the mount and drill up through bottom of cabinet at the marks using the drill bit size indicated in step 2.

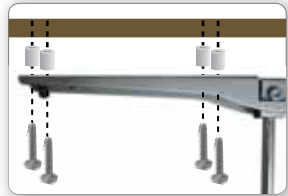


2 Attach the mount to the cabinet



Use a 1/4"
(6 mm) drill bit.

Alternative Mounting



Use a 1/8" (3mm) drill bit.

3 Attach the plastic cover



4 Attach screen to mount

Position the screen plate on the screen and attach it with the original screen screws. If they are not long enough to securely mount the screen, try the included screws.



Caution: With the screen plate in place, test the screw length to ensure that they do not extend past the screen hole depth and damage the screen.