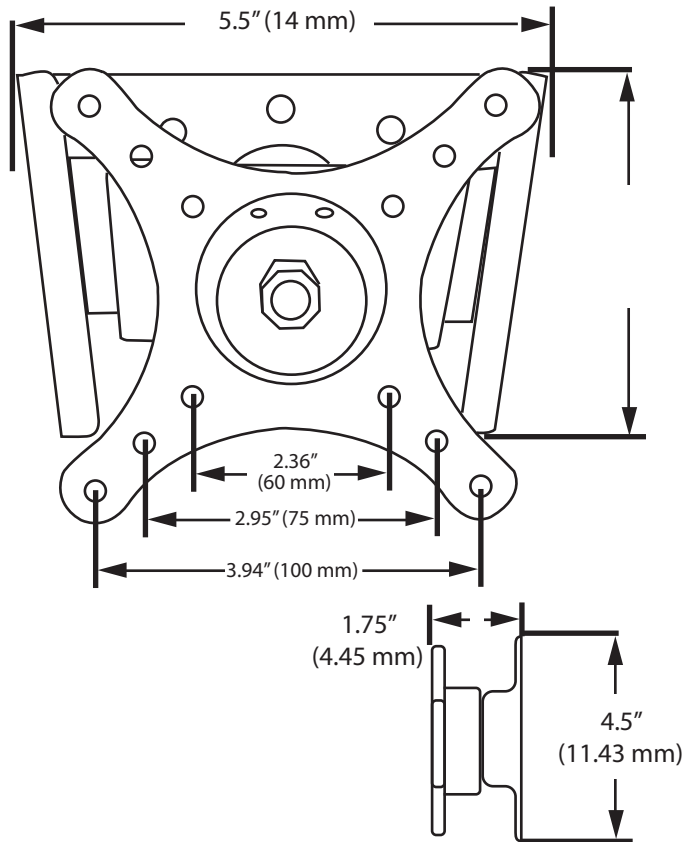
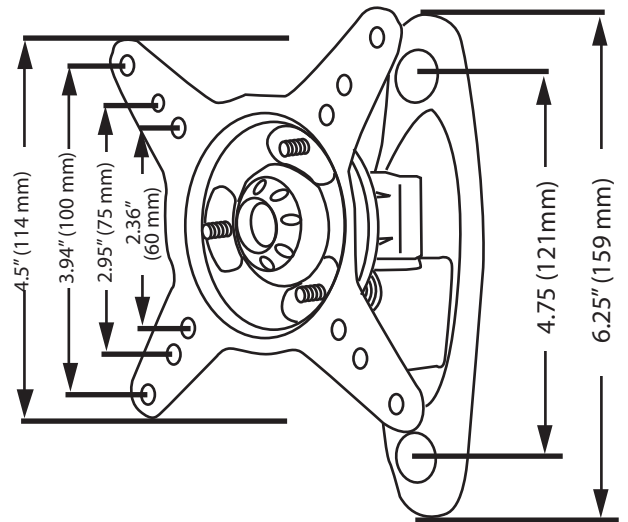


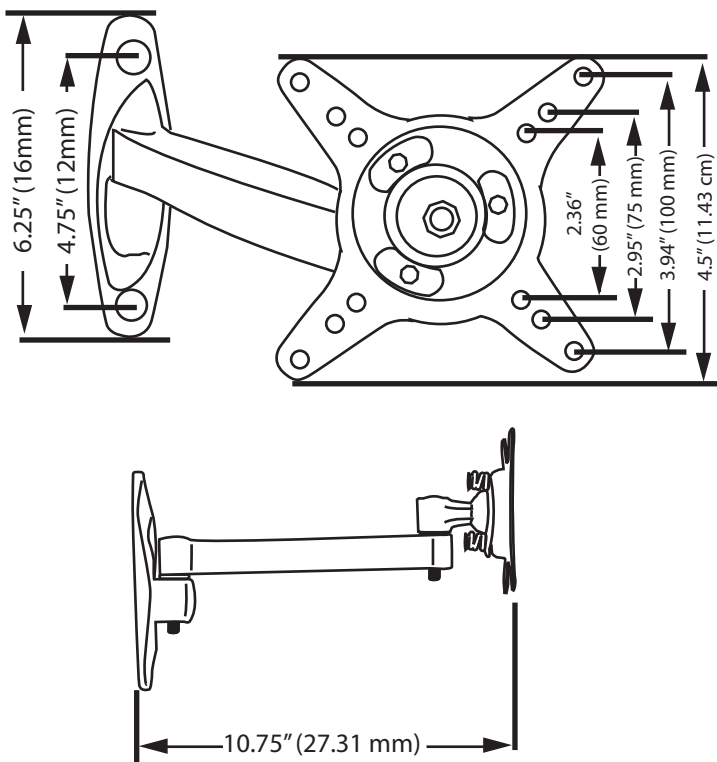
K1-F-S/ Flush Mount



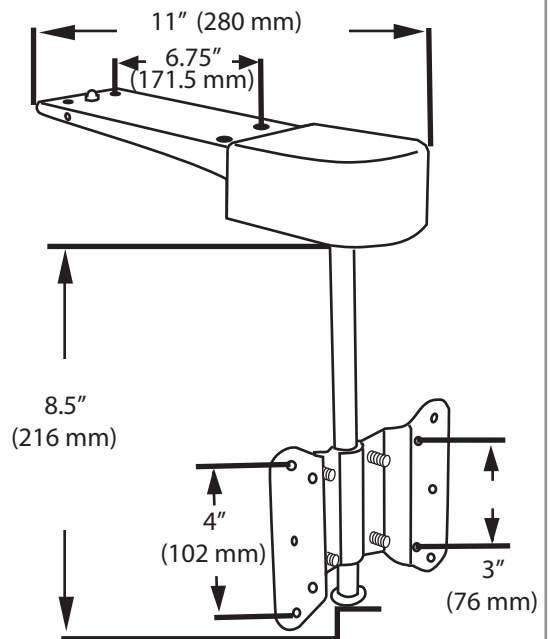
K1-TS-S/ Tilt & Swivel Mount



K1-A1-S/ Articulating Arm Mount



K1-UC-S/ Under Cabinet Mount



Product Specifications subject to change without notice.



A Better View.

For more information

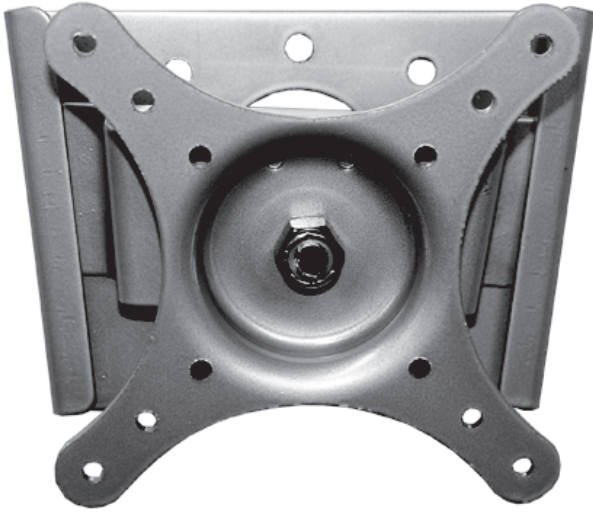
K2 Mounts
 5 Hutton Centre Drive, Suite 830, Santa Ana, CA 92707
 Call 1.866.k2mount (866.526.6868)
 www.k2mounts.com

Copyright 2006 K2 Mounts inc

K1 Series Mounts

K1-F-S/ Flush Mount

Fits Most Brands of Flat Panel Displays: 13"-23"
Weight: 2 lbs.



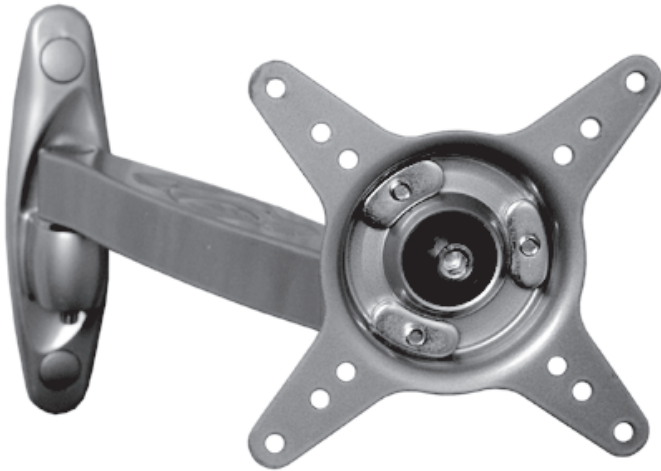
K1-TS-S/ Tilt & Swivel Mount

Fits Most Brands of Flat Panel Displays: 13"-23"
Articulating Single Arm / Tilts Up and Down
Weight: 3 lbs.



K1-A1-S/ Articulating Arm Mount

Fits Most Brands of Flat Panel Displays: 13"-23"
Articulating Single Arm / Tilts Up and Down
Weight: 3 lbs.



K1-UC-S/ Under Cabinet Mount

Fits Most Brands of Flat Panel Displays: 13"-17"
Adjustable 180 Degree Swivel
Weight: 3 lbs.



Features

- Solid Steel Construction
- Rugged Powder Coat Finish
- Easy Installation / All Hardware Included
- FREE \$10,000 Component Insurance
- Lifetime Guarantee
- VESA and UL Approved



A Better View.

For more information

K2 Mounts
5 Hutton Centre Drive, Suite 830, Santa Ana, CA 92707
Call 1.866.k2mount (866.526.6868)
www.k2mounts.com

Copyright 2006 K2 Mounts, inc