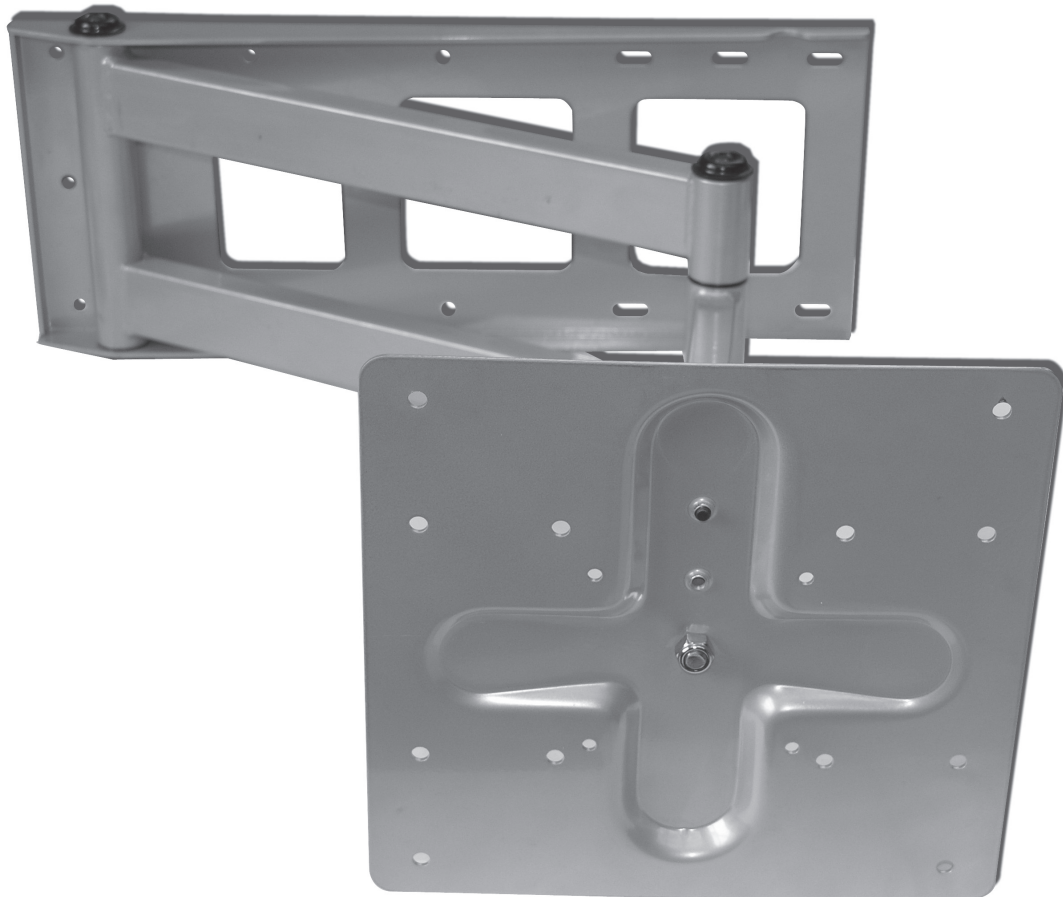


K2 -A3-S Articulating Mount

Fits Most Brands of Flat Panel Displays: 13"-40"
Weight: 15.4 lbs



Features

Solid Steel Construction
Rugged Powder Coat Finish
Easy Installation / Hardware Included
FREE \$10,000 Component Insurance
Lifetime Guarantee

Weight: 15.4 lbs
Til Range: 5 degrees up, 14 degrees down
Maximum Load: 110 lbs
VESA 75 x 75, 100 x 100, 200 x 200

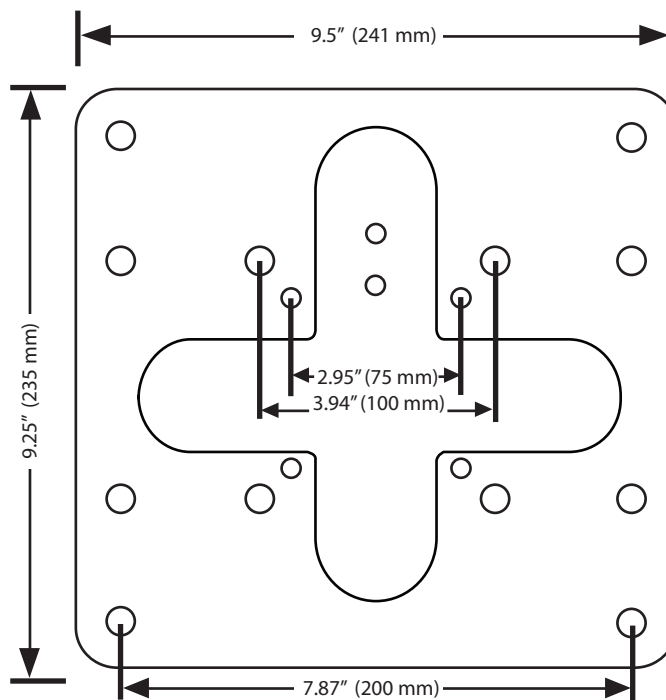
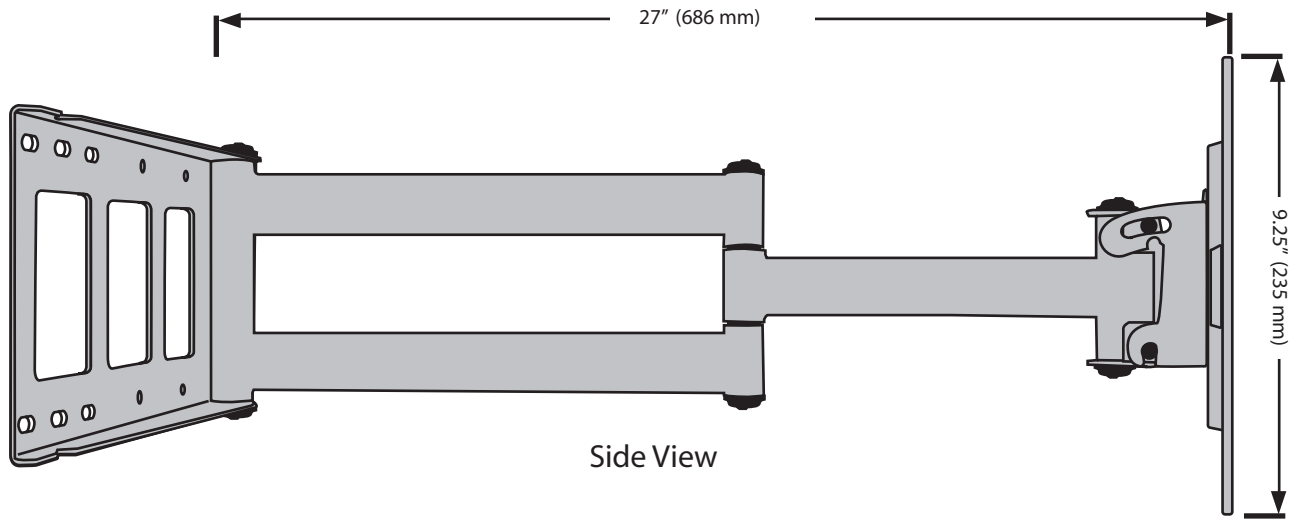


A Better View.

For more information:

K2 Mounts
5 Hutton Centre Drive Suite 830
Santa Ana, CA 92707
Call 1.866.k2mount (866.526.6868)
www.k2mounts.com

K2-A3-S Articulating Mount



For more information

K2 Mounts
5 Hutton Centre Drive, Suite 830
Santa Ana, CA 92707
Call 1.866.k2mount (866.526.6868)
www.k2mounts.com

Product Specifications subject to change without notice.



A Better View.

Copyright 2006 K2 Mounts